

3M™ Mini D Ribbon (MDR) Connectors

.050" Plastic Solder Plug Junction Shell — Non Shielded



- Design features durable two-piece glass reinforced polyester backshell with ground strap (compatible with 101XX-3000VE plug)
- Round straight exit
- Reliable metal strain relief clamp provides grounding for cable shield
- Quick release metal latching mechanism
- Positions: 14, 20, 26, 36 and 50

Date Modified: May 30, 2003

TS-0670-08
Sheet 1 of 2

Physical

Outer Shell

Material: Glass Reinforced Polyester (PBT)
Flammability: UL 94V-0
Color: Black

Cable Clamp & Ground Plate

Material: Stainless Steel
Marking: 3M Logo and Part Number

Environmental

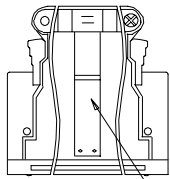
Temperature Rating: -20°C to +85°C

3M™ Mini D Ribbon (MDR) Connectors

.050" Plastic Solder Plug Junction Shell — Non Shielded

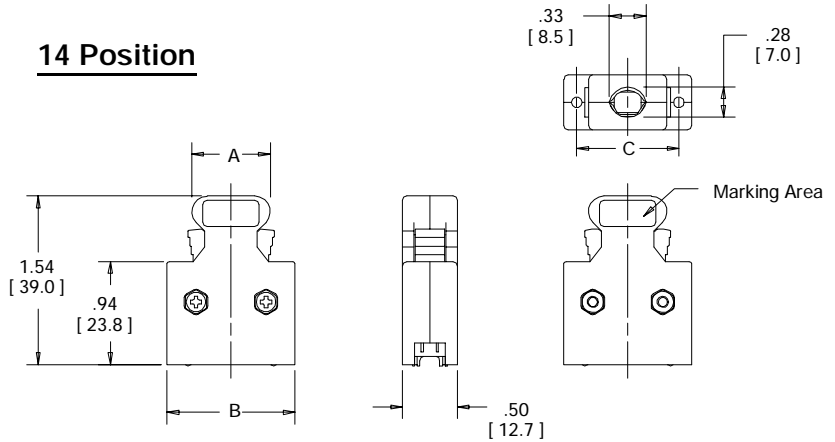
| Contact Quantity | Dimensions | | |
|------------------|------------------|------------------|------------------|
| | A | B | C |
| 14 | .72 [18.2] | 1.61 [29.5] | .929 [23.6] |
| 20 | .87 [22.0] | 1.31 [33.3] | 1.08 [27.4] |
| 26 | 1.02 [25.8] | 1.46 [37.2] | 1.23 [31.3] |
| 36 | 1.27 [32.2] | 1.71 [43.5] | 1.48 [37.6] |
| 50 | 1.62 [41.1] | 2.06 [52.4] | 1.83 [46.5] |

- Package Contents:
- 2 Shell Halves
 - 2 Shell Assembly Screws
 - 2 Shell Assembly Nuts
 - 2 Latches
 - 1 Strain Relief / Ground Strap Assembly

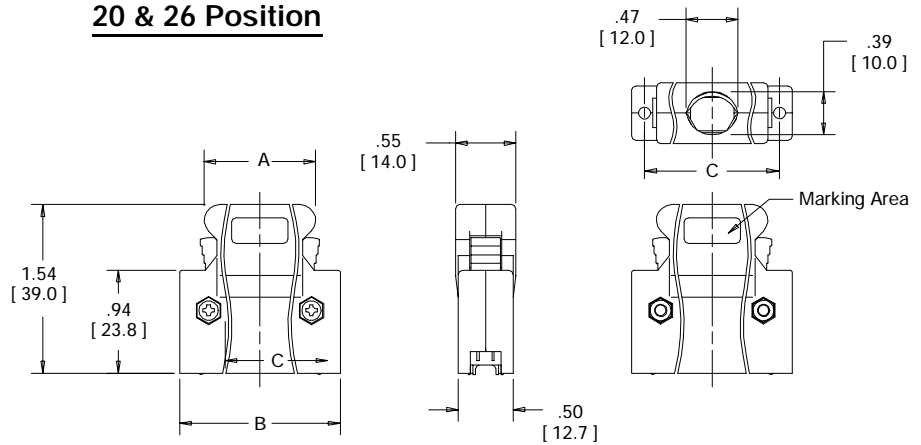


Ground Strap
(See Note)

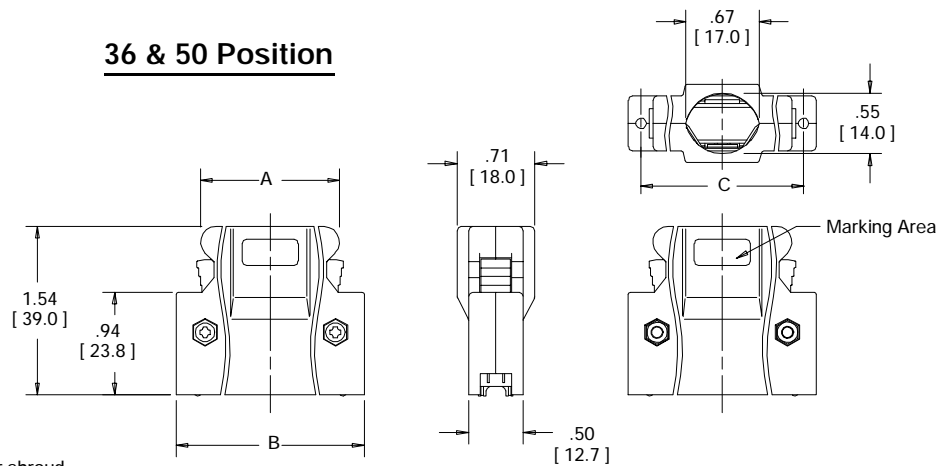
14 Position



20 & 26 Position



36 & 50 Position



| Inch [mm] | | | |
|------------------------|------|-------|--------|
| Tolerance Unless Noted | | | |
| | .0 | .00 | .000 |
| Inch | ± .1 | ± .01 | ± .005 |

[] Dimensions for Reference only

- Notes:
1. Ground strap connection to connector shroud.
 2. Non-shielded shell kit for use with solder plug connector 101XX-3000 VE series.

Ordering Information

103XX-52F0-008

Contact Quantity

TS-0670-08
Sheet 2 of 2

Important Notice

All statements, technical information, and recommendations related to 3M's products are based on information believed to be reliable, but the accuracy or completeness is not guaranteed. Before using this product, you must evaluate it and determine if it is suitable for your intended application. You assume all risks and liability associated with such use. Any statements related to the product which are not contained in 3M's current publications, or any contrary statements contained on your purchase order shall have no force or effect unless expressly agreed upon, in writing, by an authorized officer of 3M.



Electronic and Interconnect Solutions Division

6801 River Place Blvd.
Austin, TX 78726-9000
www.3M.com/eisd

Warranty; Limited Remedy; Limited Liability.

This product will be free from defects in material and manufacture for a period of 1 year from the date of purchase. **3M MAKES NO OTHER WARRANTIES INCLUDING, BUT NOT LIMITED TO, ANY IMPLIED WARRANTY OF MERCHANTABILITY OR FITNESS FOR A PARTICULAR PURPOSE.** If this product is defective within the warranty period stated above, your exclusive remedy shall be, at 3M's option, to replace or repair the 3M product or refund the purchase price of the 3M product. **Except where prohibited by law, 3M will not be liable for any loss or damage arising from this 3M product, whether direct, indirect, special, incidental or consequential regardless of the legal theory asserted.**